



Atwood Mobile Products
 4750 Hiawatha Drive • Rockford, IL 61103-1298
PHONE: 815•877•5700 **FAX:** 815•877•7469
INTERNET: http://www.atwoodmobile.com



MPD 37907

hydro flame™

SMALL VENT KIT
8500-IV Series Furnace

Technical Installation Manual

ENGLISH, FRANCAIS (et Canada)

•Installation
 Effective 2/4/00

THIS INSTRUCTION MANUAL IS FOR USE BY AN AUTHORIZED SERVICE TECHNICIAN TO INSTALL AN ATWOOD - **hydro flame™** FURNACE WITH A SMALL VENT.

FOR COMPLETE INSTALLATION INSTRUCTIONS see furnace installation manual (MPD 37808) provided with furnace. NOTE: BOTTOM DISCHARGE AND EXTENSION BOX KIT WILL REQUIRE CUTOUT RELOCATION AS SHOWN IN THIS INSTRUCTION (DIFFERENT FROM MPD 37808).

SAFETY ALERT SYMBOLS
 Safety Symbols alerting you to potential personal safety hazards. Obey all safety messages following these symbols.

WARNING
 avoid possible injury or death

CAUTION
 avoid possible injury and/or property damage

WARNING

CARBON MONOXIDE POISONING

- Properly seal vent opening and adjust draft cap to prevent carbon monoxide from entering coach.
- DO NOT draw combustion air from living area. DO NOT vent exhaust air into the living area or an enclosed porch.

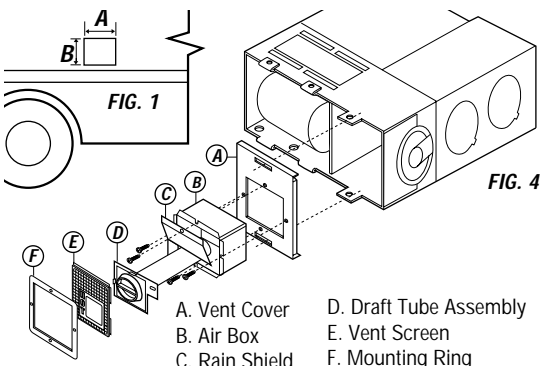
CUTOUT FOR SMALL VENT KIT

RECOMMENDED WALL THICKNESS 1-1/2" to 2-1/2"
 DO NOT OVERSIZE HOLE - OVERSIZING CAN RESULT IN WATER LEAKAGE

EXTERIOR WALL CUTOUT	A	B
HORIZONTAL (FIG 1)	5"	5-1/8"

SMALL VENT KIT INSTALLATION (FIG 4)

1. Install Vent Cover over right side of furnace opening by inserting tab through cover slots FIG 4-A.
2. Bend tabs tight against vent cover and install one screw through top tab into vent cover.
3. PULL FURNACE FORWARD UNTIL FURNACE TOUCHES COACH WALL. Gas connection should be made at this point see gas connection installation manual.
4. Apply sealant to back flange of Air Box FIG 4-B.



5. Insert Air Box through cutout and attach to vent cover with (4) 1/2" sheet metal screws.
6. Apply sealant to back flange of Mounting Ring FIG 4-F.
7. Insert Draft Tube Assembly into furnace Exhaust Tube FIG 4-D. **DRAFT TUBE MUST BE FLUSH WITH OUTSIDE WALL SURFACE.**
8. Position Screen in Mounting Ring. Place Rain Shield between Mounting Ring and top flange of Air Box. Install with 4 non-rusting screws.
9. On Vertical Installation to prevent moisture from entering inside of coach, apply RTV type sealant to the following areas:
 - around red gas inlet plug (slide plate and casing bottom intersect).
 - around back slide plate where it joins metal casing.
 - around gas line where it enters gas inlet plug.
 - along welded joints of two bottom corners of casing.

ELECTRICAL CONNECTION

Follow electrical connection in the Furnace Installation manual MPD 37808.

WARNING

INJURY OR PROPERTY DAMAGE

- Label all wires before disconnecting for servicing. Wiring errors can cause improper and dangerous operation. Verify proper operation after servicing.
- Disconnect electrical power before servicing.

NOTE: When installing a small vented unit make sure power switch is in the ON position before attaching venting assembly.

CUTOUT LOCATION WILL BE DIFFERENT for the Small Vent Kit. Measurement will be taken from OUTSIDE THE WALL changing the location of the cutout hole.

SMALL VENT KIT OPTIONAL INSTALLATION - BOTTOM/TOP DISCHARGE (FIG 2)
 See MPD 37808 for instructions.

(FIG 2)	A	B	C	D	E	F
BOTTOM DISCHARGE	11-1/4"	9-1/2"	6-1/4"	1/2"	1/2"	5"

FLOOR CUTOUT

SMALL VENT KIT OPTIONAL INSTALLATION - EXTENSION BOX KIT (FIG 3)
 See MPD 37808 for instructions.

(FIG. 3)	A	B	C	D	E	F	G
EXTENSION BOX	21-1/4"	1/2"	5"	15-1/2"	1/2"	1/2"	5"

FLOOR CUTOUT

